

# TPK Series

Immersible Pump



# Contents

---

<b>General Data</b>	<b>2</b>
---------------------	----------

<b>Performance Range</b>	<b>3</b>
--------------------------	----------

<b>Sectional Drawing</b>	<b>4</b>
--------------------------	----------

---

<b>Performance Curves/Technical Data</b>	
--	--

<b>TPK 2T</b>	<b>5</b>
---------------	----------

<b>TPK 4T</b>	<b>7</b>
---------------	----------

# TPK Series Immersible Pump



## 50Hz

**Power:** 0.22 - 1.3 kW

**Head:** Up to 70 M

**Flow:** Up to 90 L/min

## 60Hz

**Power:** 0.28 - 1.58 kW

**Head:** Up to 100 M

**Flow:** Up to 100 L/min

**Outlet:** 3/4"

## Applications

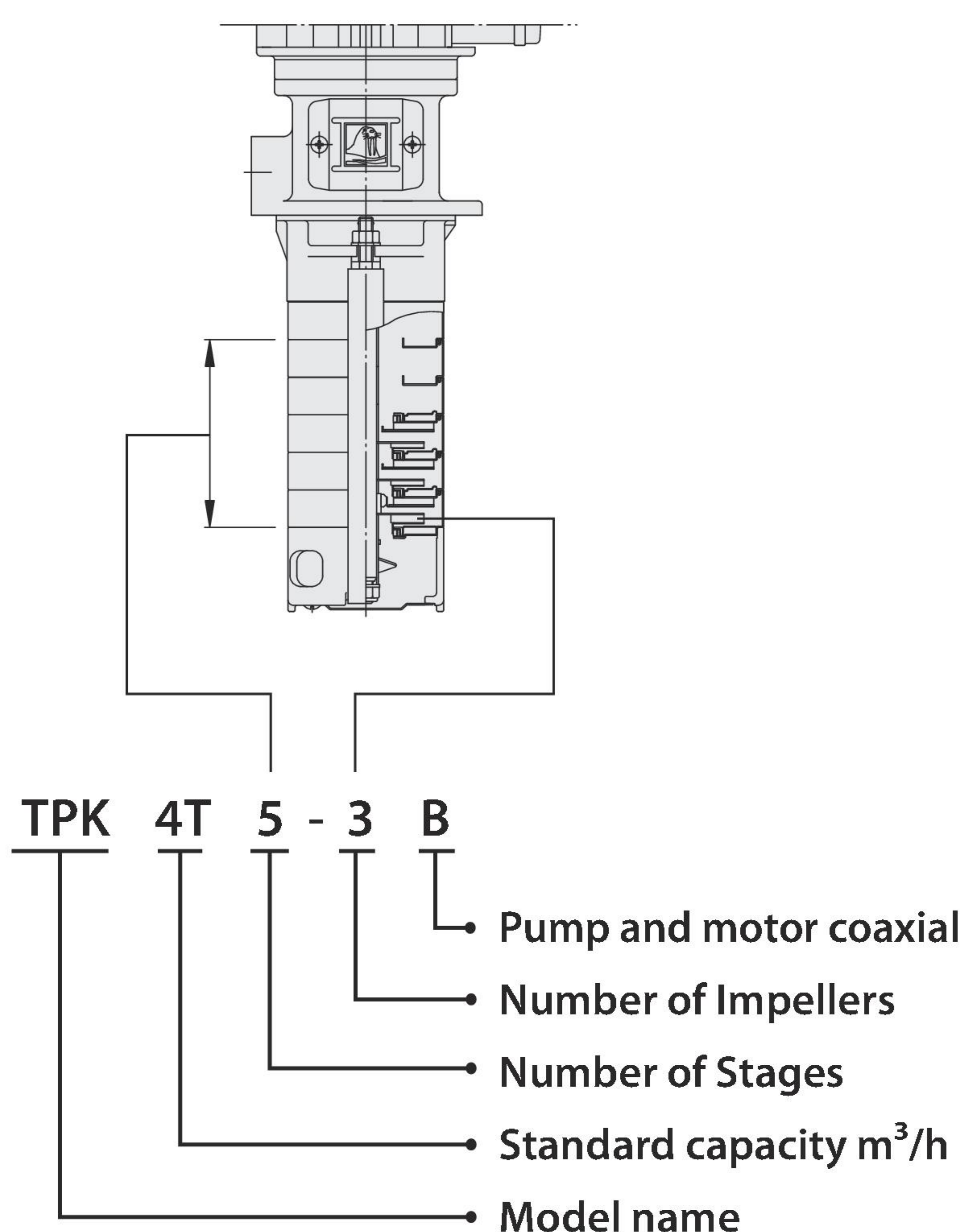
The WALRUS TPK Series is vertical multistage centrifugal pump, designed for industrial use, specially for machine tools, to carry fluids such as water, coolant, light oil and other clean, non aggressive matters.

- Industrial circulation system
- Washing/cleaning system
- Filtration system

## Operating Conditions

1. Ambient temperature :Max. +40°C
2. Liquid temperature range:+0°C ~ +90°C
3. Operating pressure:Max. 10 kg/cm<sup>2</sup>
4. Submerged depth :Min. 40mm

## Model code



## Pump Construction

Immersible vertical multistage centrifugal pump, self-priming, stub pump shaft per coupling connect with motor. Main working parts made by stainless steel.

## Motor

Enclosure class : IP54

Insulation class : F.

Nominal speed :2900 / 3500 rpm

Frequency range : 50 / 60 Hz

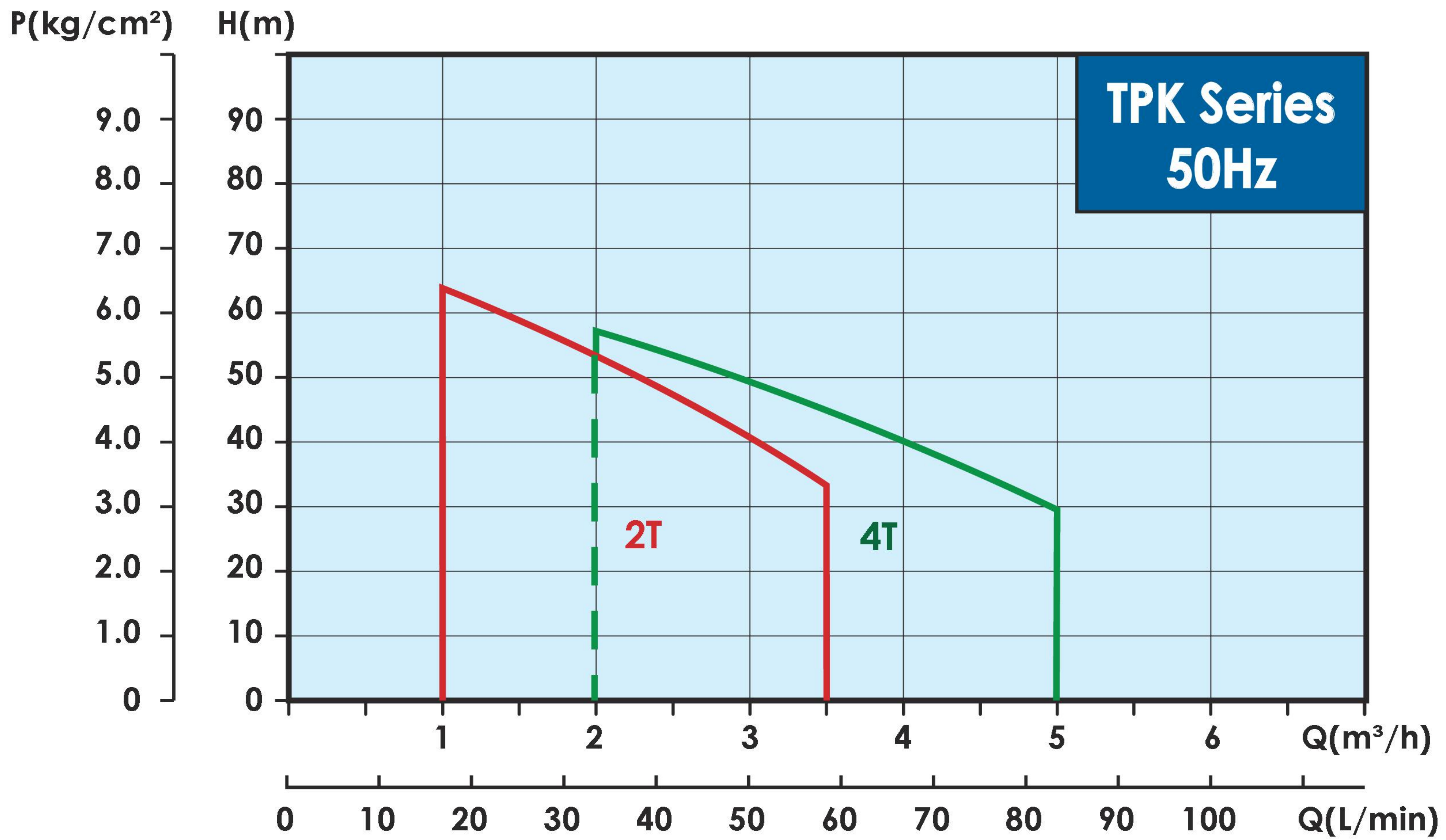
Voltages Code:

Code	PH	50Hz	60Hz
53Q	3	200-240/380-440V	-
A3Z*	3	200-255/380-440V	200-255/380-480V
A3U*	3	200-240/380-415V	200-240/380-440V

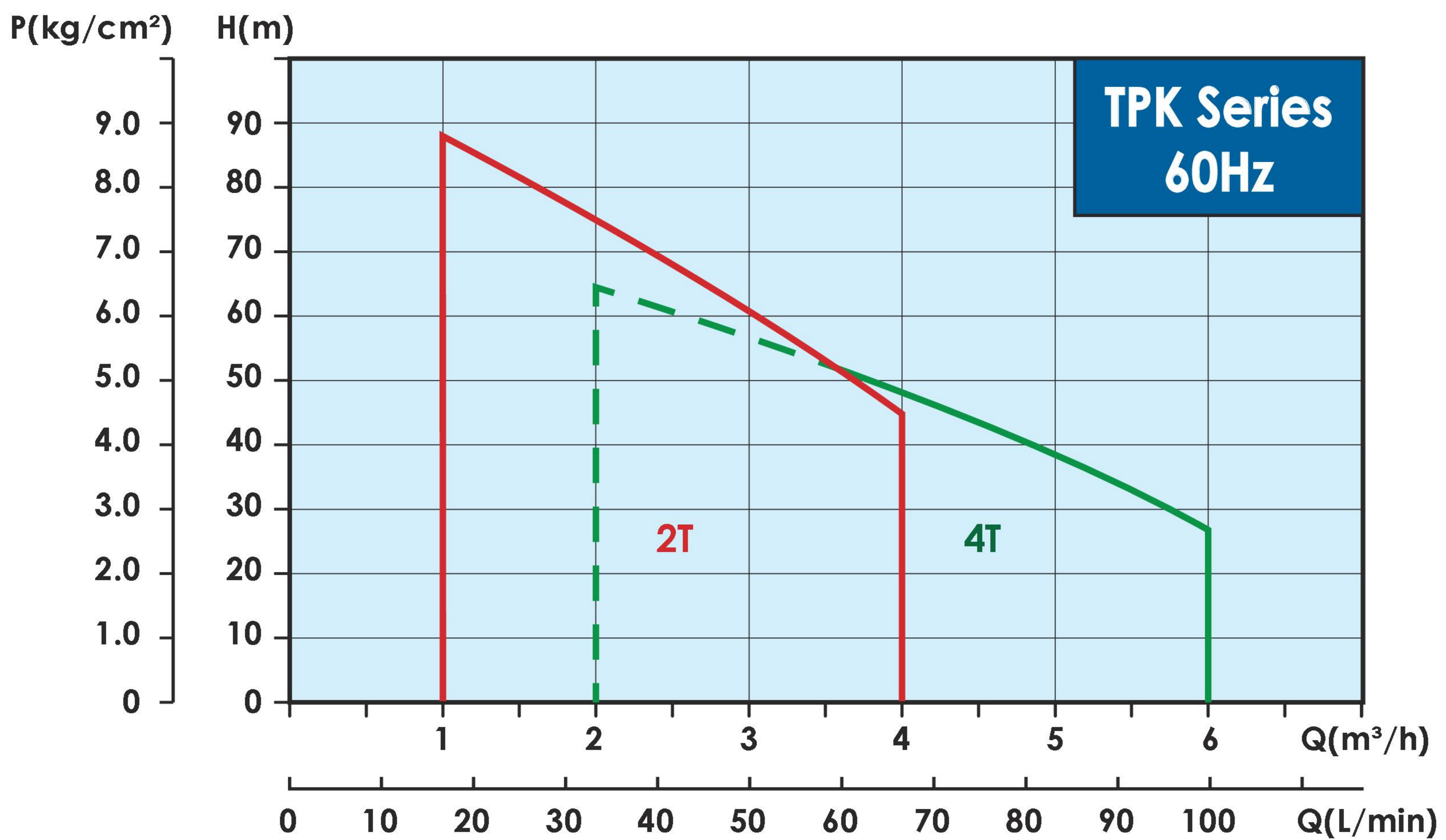
\* The motor can be use in both 50/60 hz.

# TPK Series Immersible Pump

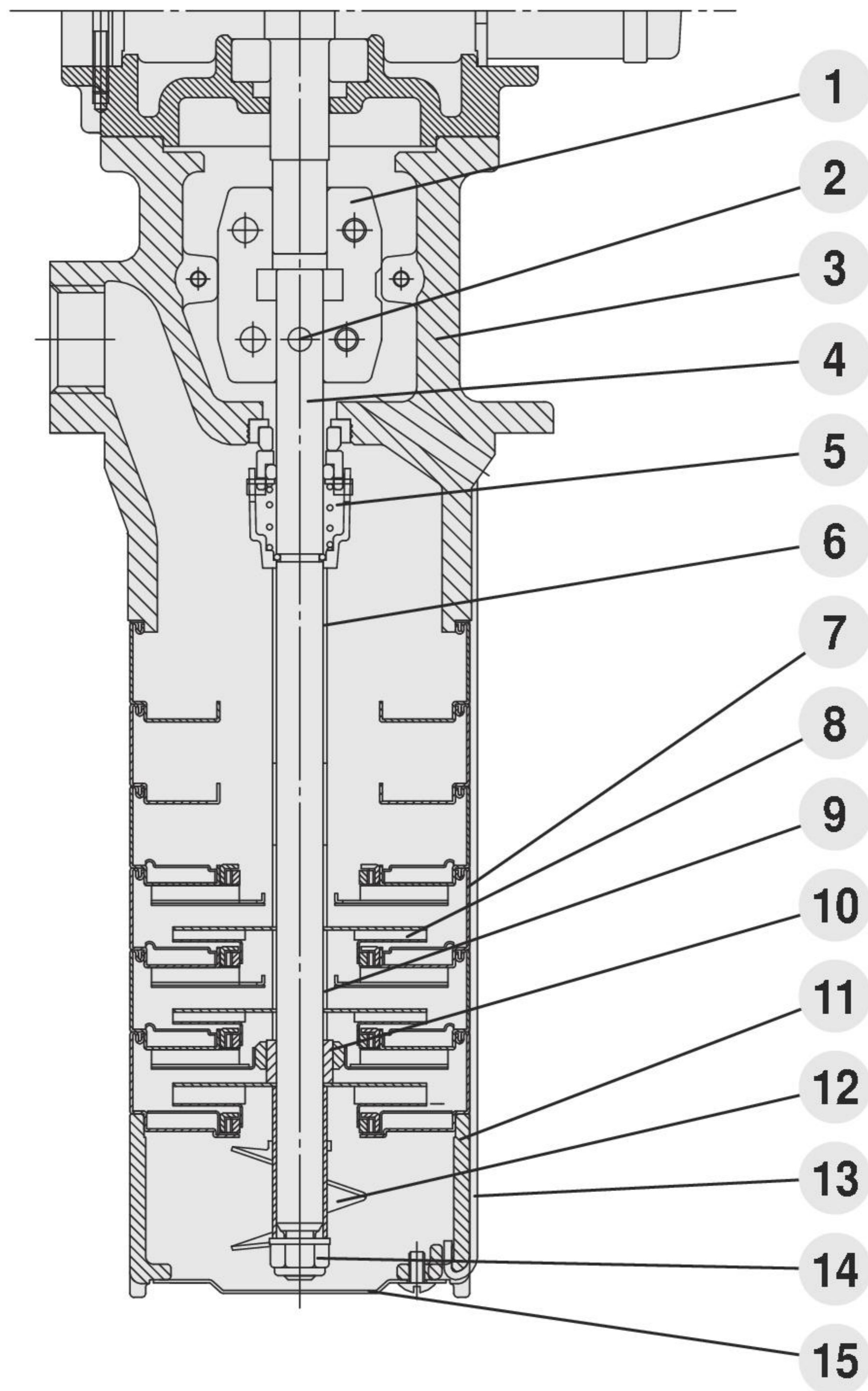
## Performance curve (50Hz)



## Performance curve (60Hz)



## Sectional drawing



## Materials

No.	Part name	Material
1	Coupling	ADC 6
2	Shaft pin	SUS 304
3	Pump head	FCD 45
4	Shaft	SUS 304
5	Mechanical Seal	HSSH
6	Sleeve	SUS 304
7	Intermediate chamber	SUS 304
8	Impeller	SUS 304
9	Sleeve (impeller)	SUS 304
10	Bearing ring	SiC
11	Suction intercon-necter	SUS 304
12	Priming screw	SUS 304
13	Strap	SUS 304
14	Lock Nut	SUS 316
15	Filter	SUS 304

## Options on request

- Special mechanical seal

Mechanical seal type	Material	
	Stationary Face/ Rotary Face	Cup Gasket & O Ring
HSSH HSSV HSSE	(S)Silicium carbide/ (S)Silicium carbide	(H) HNBR (V) Viton
HGSH HGSV HGSE	(G)Carbon/ (S)Silicium carbide	(E) EPDM

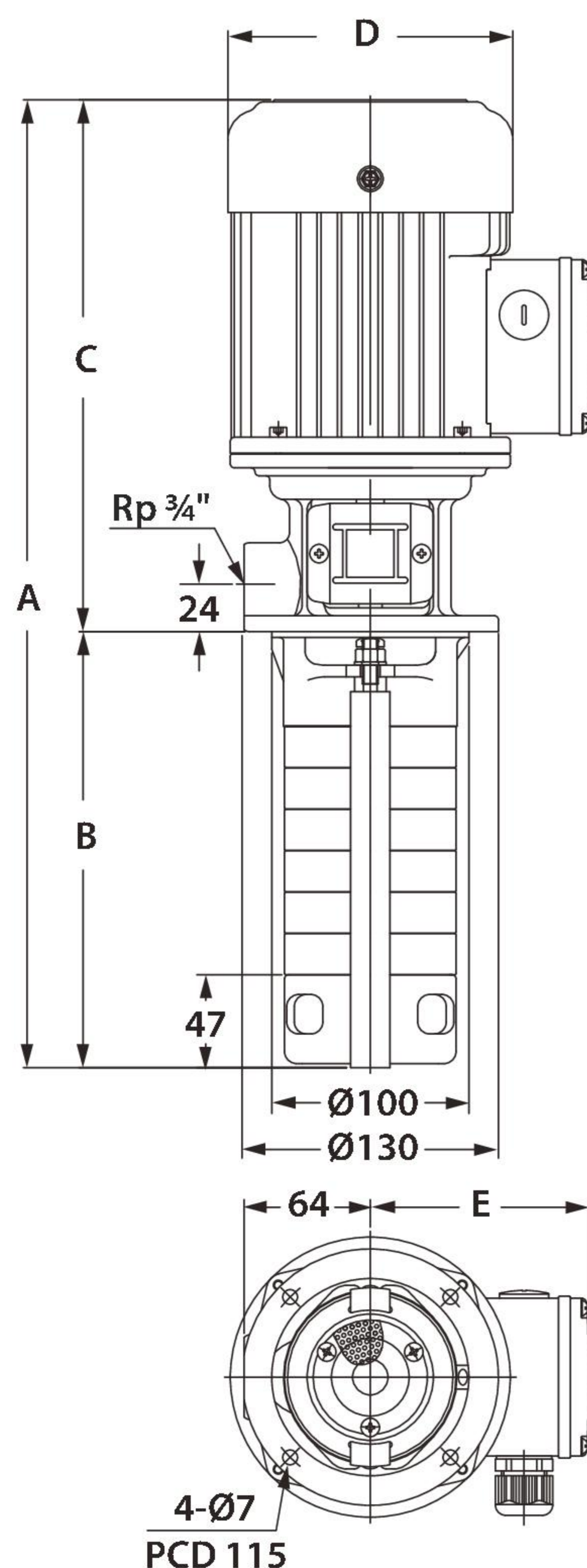
# TPK 2T


## Electrical data

Standard Model	Phase (Ø)	voltage code	Cycle (Hz)	Volts (V)	Input Power (W)	Input Ampere (A)
TPK 2T 5 - 1 B	3	A3Z	50	200-255 / 380-440	220	0.9 / 0.6
			60	200-255 / 380-480	280	0.9 / 0.6
TPK 2T 3 - 3 B	3	A3Z	50	200-255 / 380-440	280	0.9 / 0.7
			60	200-255 / 380-480	370	1.1 / 0.6
TPK 2T 5 - 5	3	A3Z	50	200-255 / 380-440	450	2.6 / 1.5
			60	200-255 / 380-480	600	2.2 / 1.5
TPK 2T 8 - 8	3	A3Z	50	200-255 / 380-440	580	2.9 / 1.7
			60	200-255 / 380-480	820	2.7 / 1.6
TPK 2T 11-11	3	A3Z	50	200-255 / 380-440	700	3.2 / 1.8
			60	200-255 / 380-480	1050	3.5 / 1.9
TPK 2T 12-12	3	A3Z	50	200-255 / 380-440	780	3.5 / 1.9
			60	200-255 / 380-480	1160	3.6 / 2.0
TPK 2T 15-15	3	A3U	50	200-240 / 380-415	850	3.0 / 1.8
			60	200-240 / 380-440	1300	4.1 / 2.3
TPK 2T 17-17	3	A3U	50	200-240 / 380-415	950	3.6 / 2.1
			60	200-240 / 380-440	1450	5.0 / 2.7

Maximum 19 Stages

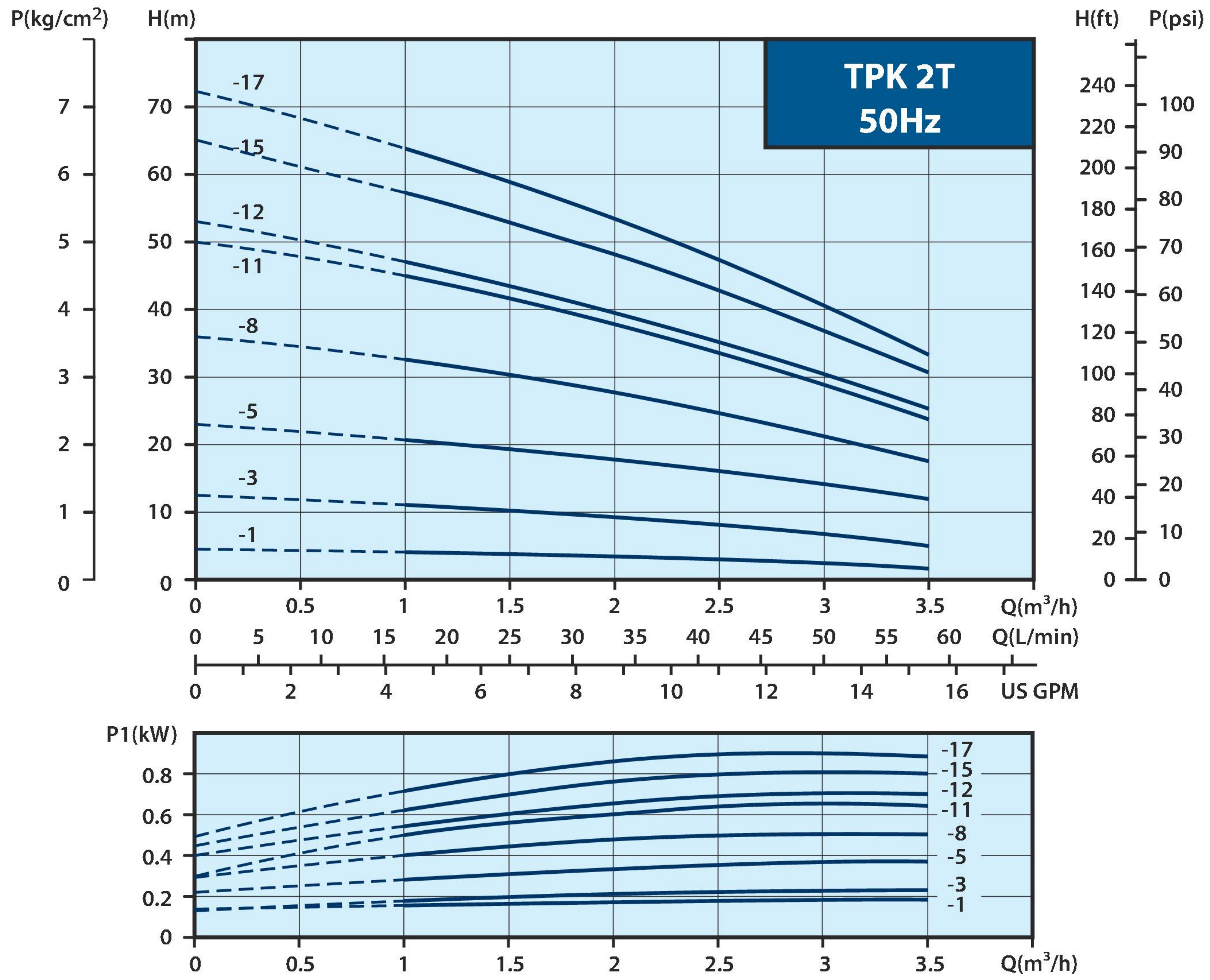
## Dimensions ( mm )



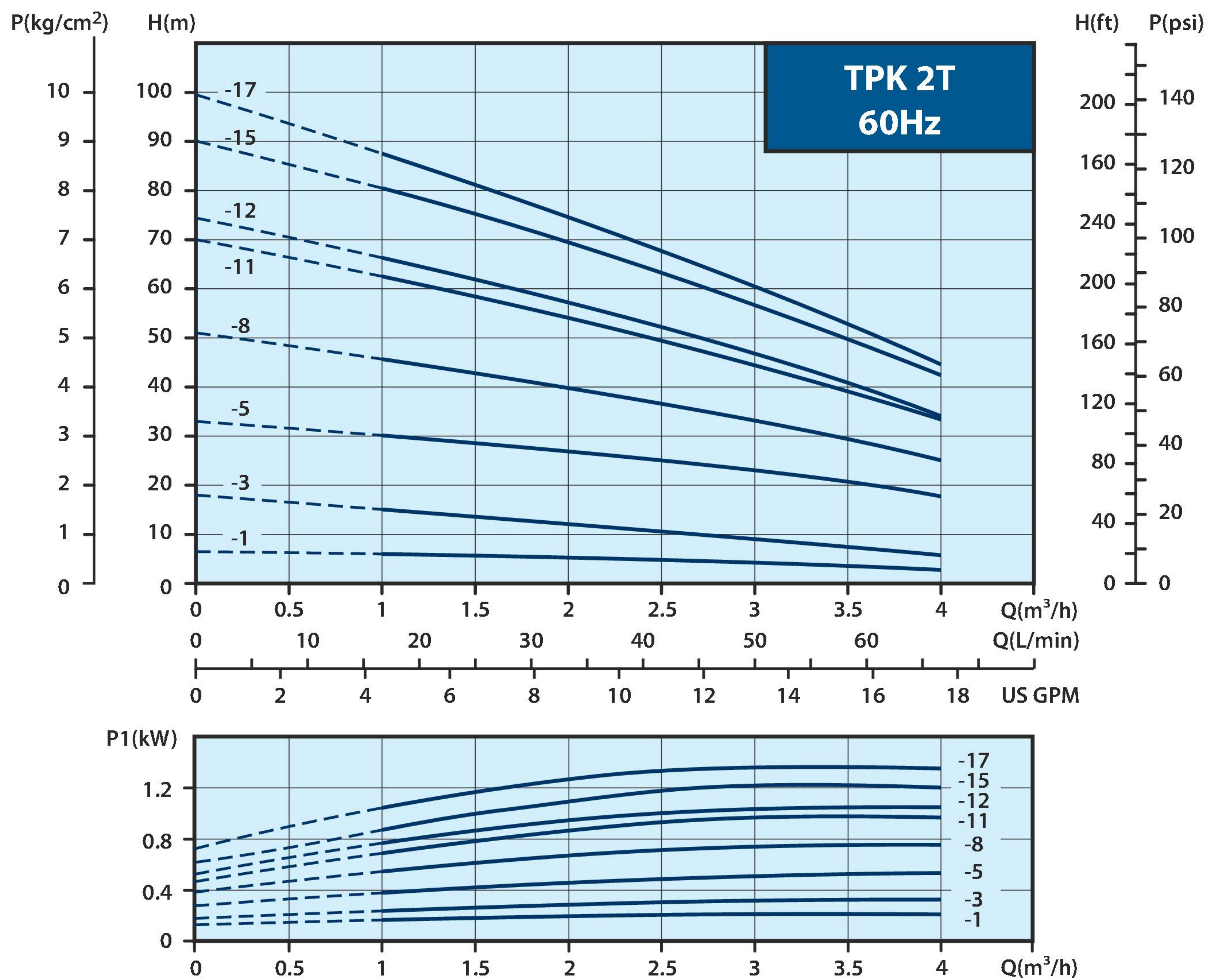
Model	A (mm)	B (mm)	C (mm)	D (mm)	E (mm)	N.W.(kg)	
TPK2T 5 - 1 B	447	221	226	123	101	8.7	30
TPK2T 3 - 3 B	405	179	226	123	101	8.7	30
TPK2T 5 - 3 B	447	221	226	123	101	8.9	30
TPK2T 8 - 3 B	510	284	226	123	101	9.2	24
TPK2T 11- 3 B	573	347	226	123	101	9.6	24
TPK2T 5 - 5	491	221	270	144.5	111	12.1	30
TPK2T 8 - 5	554	284	270	144.5	111	12.4	24
TPK2T 10- 5	596	326	270	144.5	111	12.6	24
TPK2T 11- 5	617	347	270	144.5	111	12.7	18
TPK2T 15- 5	701	431	270	144.5	111	13.0	18
TPK2T 8 - 8	554	284	270	144.5	111	12.7	24
TPK2T 11- 8	617	347	270	144.5	111	13.0	18
TPK2T 11-11	657	347	310	144.5	111	14.3	18
TPK2T 15-12	741	431	310	144.5	111	14.5	18
TPK2T 15-15	741	431	310	144.5	111	15.0	18
TPK2T 19-15	825	515	310	144.5	111	15.4	18
TPK2T 19-17	825	515	310	144.5	111	15.8	18

B Model without coupling design.

## Performance curve (50Hz)



## Performance curve (60Hz)



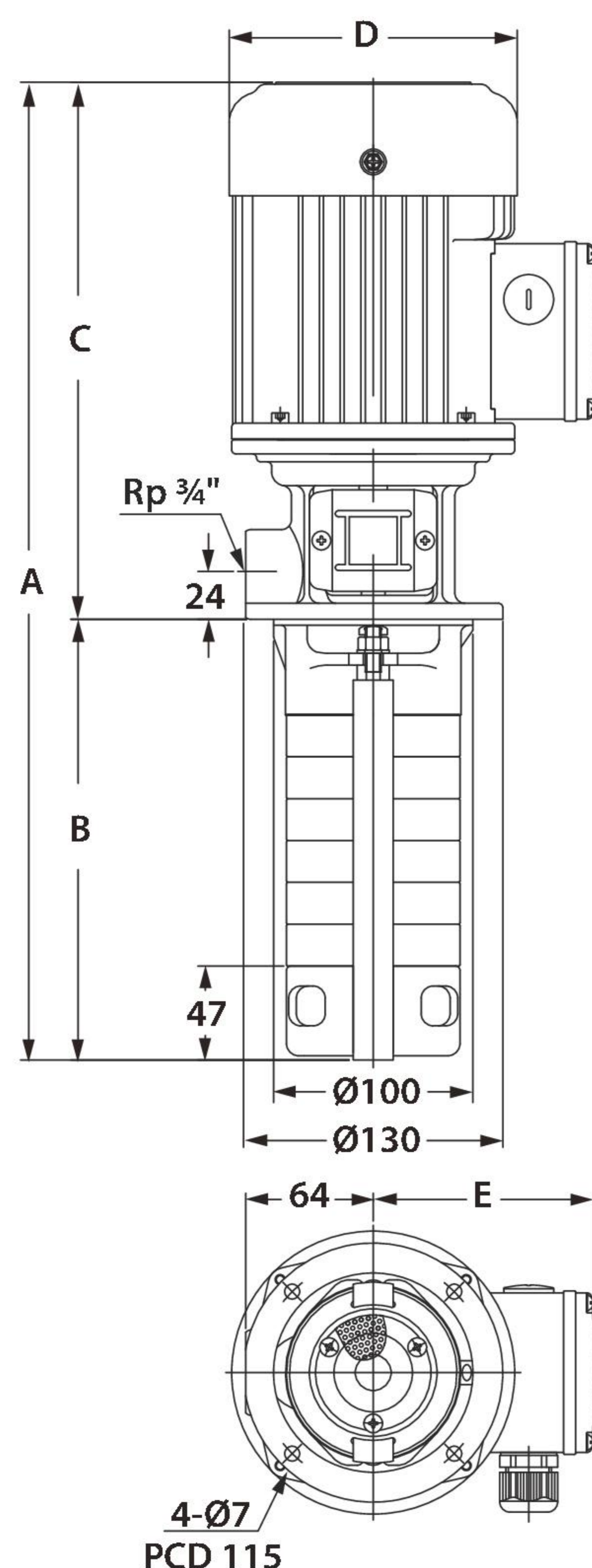
# TPK 4T


## Electrical data

Standard Model	Phase (Ø)	voltage code	Cycle (Hz)	Volts (V)	Input Power (W)	Input Ampere (A)
TPK 4T 3 - 1 B	3	A3Z	50	200-255 / 380-440	250	1.0 / 0.6
			60	200-255 / 380-480	300	1.0 / 0.6
TPK 4T 3 - 3 B	3	A3Z	50	200-255 / 380-440	430	2.8 / 1.4
			60	200-255 / 380-480	550	2.2 / 1.2
TPK 4T 5 - 5	3	A3Z	50	200-255 / 380-440	580	2.9 / 1.7
			60	200-255 / 380-480	900	2.7 / 1.6
TPK 4T 7 - 7	3	A3Z	50	200-255 / 380-440	680	3.2 / 1.8
			60	200-255 / 380-480	1000	3.4 / 1.9
TPK 4T 8 - 8	3	A3Z	50	200-255 / 380-440	750	3.5 / 1.9
			60	200-255 / 380-480	1160	3.6 / 2.0
TPK 4T 10-10	3	A3Z	50	200-255 / 380-440	900	4.7 / 2.6
			60	200-255 / 380-480	1420	4.7 / 2.6
TPK 4T 11-11	3	A3U	50	200-240 / 380-415	950	3.6 / 2.1
			60	200-240 / 380-440	1450	5.0 / 2.7
TPK 4T 12-12	3	A3U	50	200-240 / 380-415	1050	3.9 / 2.3
			60	200-240 / 380-440	1580	5.3 / 2.9
TPK 4T 15-15	3	53Q	50	200-240 / 380-440	1300	4.4 / 2.8

Maximum 19 Stages

## Dimensions ( mm )

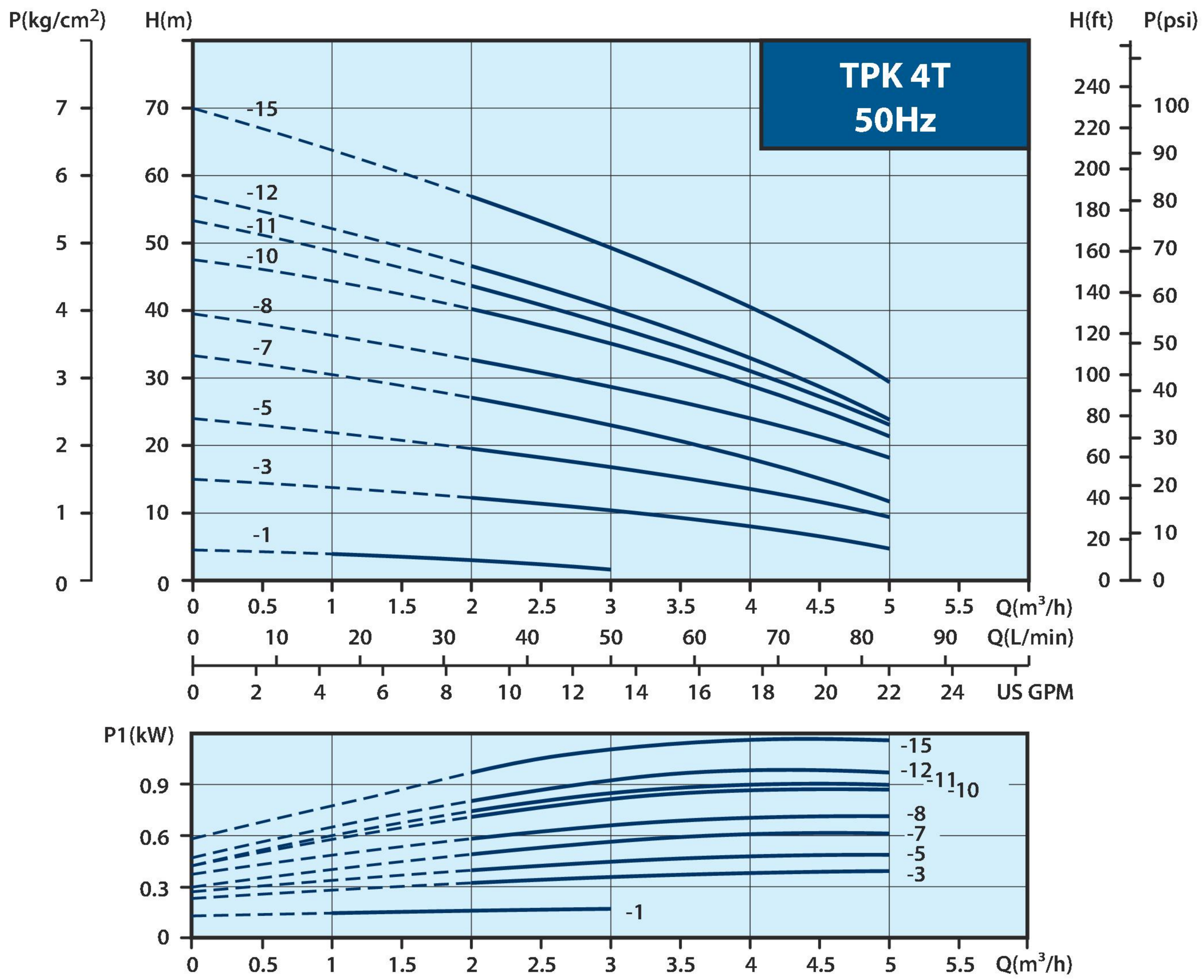


Model	A (mm)	B (mm)	C (mm)	D (mm)	E (mm)	N.W.(kg)	
TPK4T 3 - 1B	405	179	226	123	101	8.4	30
TPK4T 5 - 1B	447	221	226	123	101	8.7	30
TPK4T 3 - 3B	449	179	270	144.5	111	11.8	30
TPK4T 5 - 3	491	221	270	144.5	111	12.0	30
TPK4T 8 - 3	554	284	270	144.5	111	12.3	24
TPK4T 19- 3	785	515	270	144.5	111	13.4	18
TPK4T 5 - 5	491	221	270	144.5	111	12.1	30
TPK4T 8 - 5	554	284	270	144.5	111	12.4	24
TPK4T 11- 5	617	347	270	144.5	111	12.7	18
TPK4T 15- 5	701	431	270	144.5	111	13.0	18
TPK4T 19- 5	785	515	270	144.5	111	13.3	18
TPK4T 19- 7	825	515	310	144.5	111	14.8	18
TPK4T 8 - 8	594	284	310	144.5	111	13.8	24
TPK4T 11- 8	657	347	310	144.5	111	14.1	18
TPK4T 15- 8	741	431	310	144.5	111	14.4	18
TPK4T 19- 8	825	515	310	144.5	111	14.8	18
TPK4T 11-10	657	347	310	144.5	111	14.2	18
TPK4T 15-10	741	431	310	144.5	111	14.5	18
TPK4T 19-10	825	515	310	144.5	111	14.9	18
TPK4T 11-11	657	347	310	144.5	111	14.3	18
TPK4T 15-12	741	431	310	144.5	111	14.6	18
TPK4T 19-12	825	515	310	144.5	111	14.8	18
TPK4T 15-15	741	431	310	144.5	111	15.0	18
TPK4T 19-15	825	515	310	144.5	111	15.4	18

B Model without coupling design.



## Performance curve (50Hz)



## Performance curve (60Hz)

