

PW-A Series Submersible Pump

Power: 0.1 - 0.8 kW

Head: Up to 14 M

Flow: Up to 440 L/min

Outlet: 1" - 2"



Coverage of Application

1. To be used to circulate water in garden ponds
2. To be applicable to the sprinkler for vegetations of parks.
3. Watering in the garden and washing car.
4. To drain the accumulated water for basement of residence.
5. To drain the ground water.
6. To drain accumulated water for civil and architecture engineering.
7. The "R" type available to used in sea fish breeding.
8. The "C" type equipped level regulator.
9. The "F" type equipped float ball level switch.
10. The "D" type low suction capability up to 1 mm

Characteristic

1. Submersible pumps for clean water.
2. Corrosion-resistant and compact.
3. Built-in capacitor.
4. Supplied with power cable with plug
5. Motor with thermo overload protection
6. Suitable for cleaning washing towers and other confined spaces pumping use.

Specifications

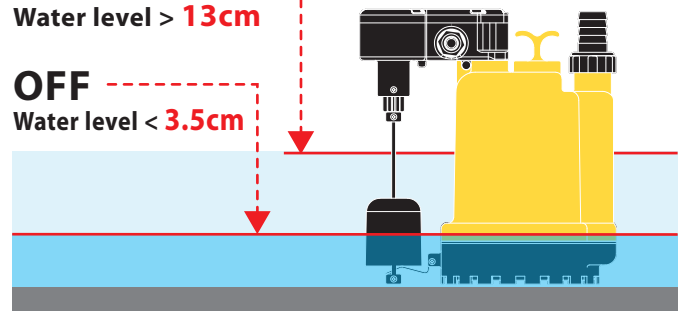
1. Power supply: single-phase 50 or 60 Hz
2. Power: 100W to 800W
3. Insulation class: B
4. Protection: IP68
5. Length of cable: 4 or 5 m
10 m (Optional)
6. Delivery: up to 440 L/min
7. Head: up to 14 m
8. Temperature of pumped liquid: 4°C to +35°C

Level regulator

PW100AC / PW100ARC

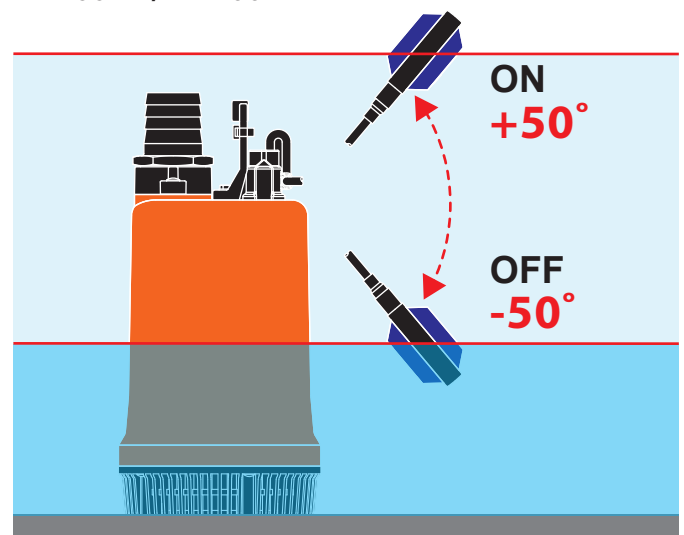
ON
Water level > 13cm

OFF
Water level < 3.5cm



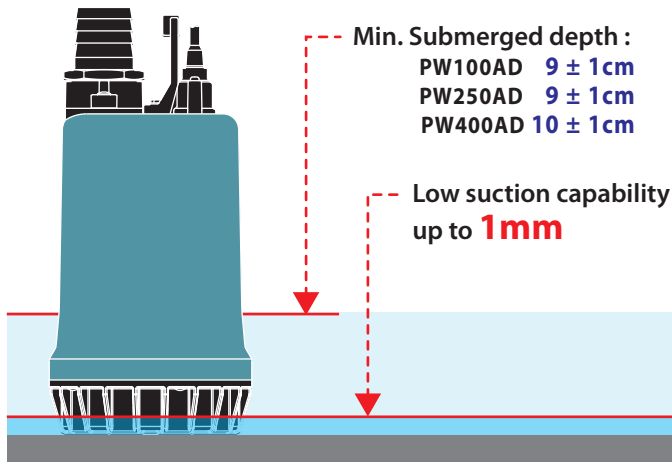
Float ball level switch

PW100AF / PW100ARF / PW250AF
PW400AF / PW400ARF

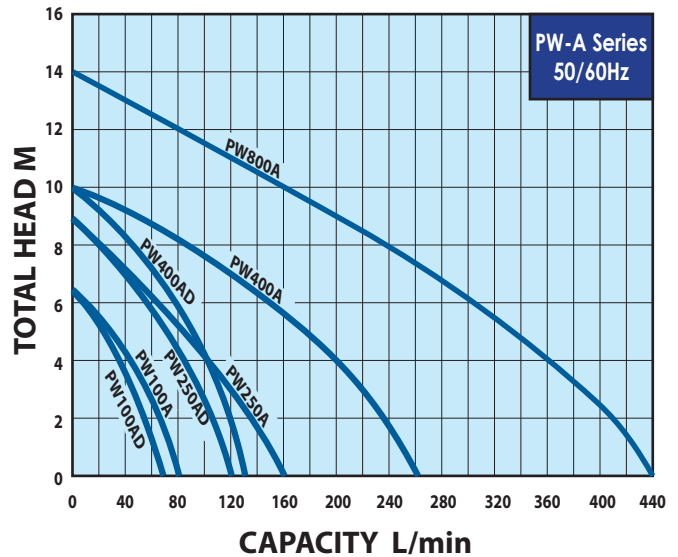


Low suction Pump


PW100AD / PW250AD / PW400AD



Performance curve



Specification

Type	Outlet Diameter In. (mm)	Output W	Cycle Hz	Volt V		Amp's A		Maximum		Dimensions L x W x H mm	Cable Wire C x mm ² x m	N.W. kg	G.W. kg	
								Head m	Capacity L/min					
PW100A	1" (25)	100	50	220 - 240		1.0		6.5	80	155 x 140 x 241	3 x 1.5 x 4 3 x 0.75 x 4	4.1	4.7	72
			60	110	220	2.0	1.0							
PW250A	1½" (40)	250	50	220 - 240		2.0		9.0	160	164 x 164 x 350	3 x 1.5 x 5 3 x 1.25 x 5	5.1	5.5	48
			60	110	220	4.0	2.0							
PW400A	2" (50)	400	50	220 - 240		3.5		10	260	183 x 183 x 382	3 x 1.5 x 5 3 x 1.25 x 5	7.9	8.3	50
			60	110	220	7.0	3.5							
PW800A	2" (50)	800	50	220 - 240		6.8		14	440	193 x 193 x 412	3 x 1.5 x 5 3 x 2.0 x 5	10.2	10.8	50
			60	110	220	13.4	6.5							

Sea water pump.

PW100AR	1" (25)	100	50	220 - 240		1.0		6.5	80	155 x 140 x 241	3 x 1.5 x 4 3 x 0.75 x 4	4.1	4.7	72
			60	110	220	2.0	1.0							
PW400AR	2" (50)	400	50	220 - 240		3.5		10	260	183 x 183 x 382	3 x 1.5 x 5 3 x 1.25 x 5	7.9	8.3	50
			60	110	220	7.0	3.5							
PW800AR	2" (50)	800	50	220 - 240		6.8		14	440	193 x 193 x 412	3 x 1.5 x 5 3 x 2.0 x 5	10.2	10.8	50
			60	110	220	13.4	6.5							

Pump with level regulator.

PW100AC PW100ARC	1" (25)	100	50	220 - 240		1.0		6.5	80	227 x 140 x 243	3 x 1.5 x 4 3 x 0.75 x 4	4.6	4.9	48
			60	110	220	2.0	1.0							

Pump with float ball level switch.

PW100AF PW100ARF	1" (25)	100	50	220 - 240		1.0		6.5	80	155 x 140 x 241	3 x 1.5 x 4 3 x 0.75 x 4	4.3	4.9	48
			60	110	220	2.0	1.0							
PW250AF	1½" (40)	250	50	220 - 240		2.0		9.0	160	164 x 164 x 350	3 x 1.5 x 5 3 x 1.25 x 5	5.3	5.7	48
			60	110	220	4.0	2.0							
PW400AF PW400ARF	2" (50)	400	50	220 - 240		3.5		10	260	183 x 183 x 382	3 x 1.5 x 5 3 x 1.25 x 5	8.1	8.5	50
			60	110	220	7.0	3.5							

Low Suction Pump (Drainage to 1 mm from floor).

PW100AD	1" (25)	100	50	220 - 240		1.0		6.5	70	164 x 164 x 270	3 x 1.5 x 4 3 x 0.75 x 4	4.5	5.2	48
			60	110	220	2.0	1.0		80					
PW250AD	1½" (40)	250	50	220 - 240		2.0		9.0	120	164 x 164 x 350	3 x 1.5 x 5 3 x 1.25 x 5	5.6	6.0	48
			60	110	220	4.0	2.0							
PW400AD	2" (50)	400	50	220 - 240		3.5		10	130	183 x 183 x 384	3 x 1.5 x 5 3 x 1.25 x 5	8.4	8.8	50
			60	110	220	7.0	3.5							