



永東牌

渦流式同軸抽水機

F = 50 Hz



ISO 9001 認證合格廠商
工業技術研究院合作廠商

永東泵浦商業有限公司

永東牌渦流式同軸抽水機

• 構造

馬達軸心特製不銹鋼，葉輪採用鉆金銅，水機本體採用鑄鐵，內部裝配機械軸封 (Mechanical Seal) 葉軸鑽有平衡孔或附以背葉，以維軸推力之平衡，所以水機不會發生偏心搖動現象

• 特點

特殊設計之葉輪與工研院技術合作，效率高，壽命長，免青棉紗，聲音小，機體小且吸水揚水性能特佳，採用不銹鋼軸經久耐用，運轉特性覺得廣泛，不必另建抽水機室，能維持穩定之流量及揚程，高低揚程均可採用此型，特選鼠籠型高效率馬達，省電，肅靜，重量輕。

• 用途

一般工業用水. 農業灌溉用水. 都市學校給水. 大樓浴室給水. 冷凍機給水. 冷熱水用.

• CASING

The casing is designed for highest efficiency and can be turned to 4 discharge positions. With tapped holes for priming, venting and drainage.

• IMPELLER AND SHAFT

Pumps are supplied in standard construction of cast iron casing and bronze impeller shaft is of high tensile stainless steel.

• MOTORS AND MECHANICAL SEAL

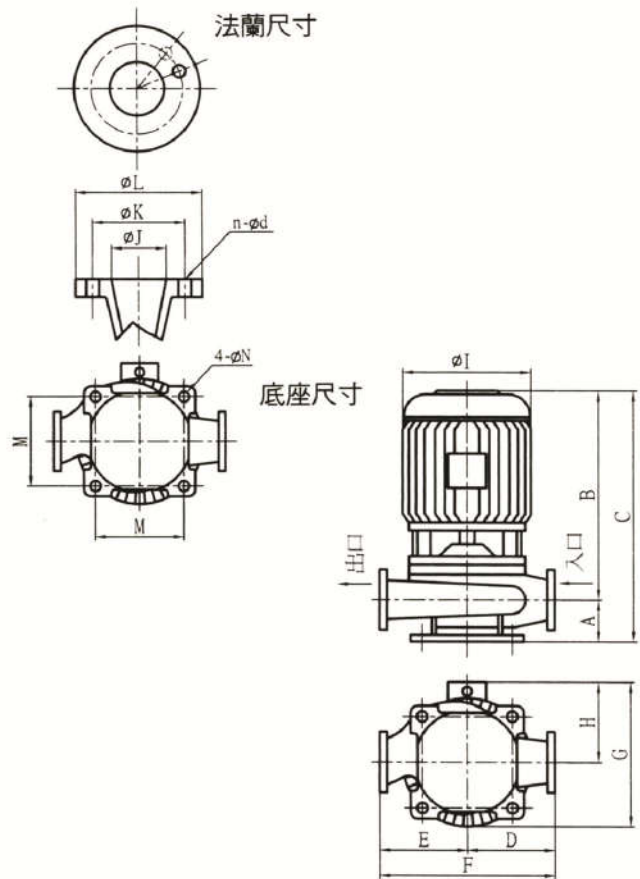
ALL KUANG CHUAN PUMPS are fitted with mechanical seals, having synthetic rubber flexible parts, stainless steel spring, Tepalite rotating face, ceramic stationary seal and brass metal parts. Motor is of Squirrel-cage Type, total enclosed motor. All motor and pump combinations have non-overloading characteristics.

• RANGE OF PUMPS

Includes both high and low speed pumps. The wide range of speeds and heads permit accurate selection of the most suitable pump for the work.

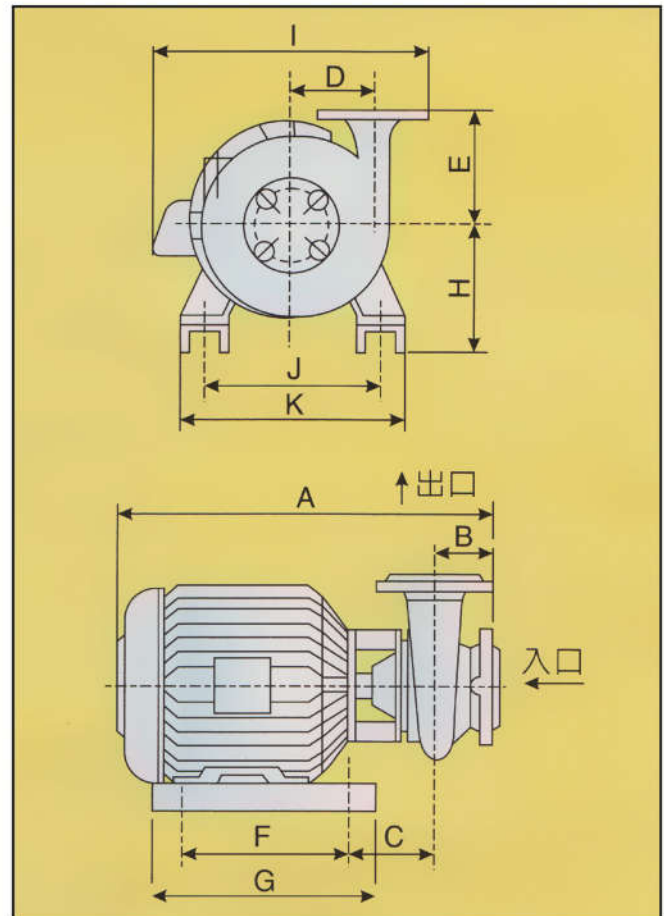
• TYPICAL APPLICATIONS

- Suitable industrial agricultural and irrigation use.
- For hot water transfer, water circulation systems. Building water servicing...etc.



(2極) 三相外觀尺寸圖(50 Hz{2800R.P.M.})

型式	A	B	C	D	E	F	G	H	I	J	K
V-2P-1/2-34	326	47	63	66	106	204	230	87	241	112	147
V-2P-1-49	335	47	80	78	122	204	230	96	265	125	160
V-2P-2-49	413	62	71	85	147	237	260	106	295	140	175
V-2P-2-60	413	62	71	85	147	237	260	106	295	140	175
V-2P-3-60	410	60	70	81	154	237	260	106	306	140	175
V-2P-3-76	410	60	70	81	154	237	260	106	306	140	175
V-2P-3-90	413	62	71	85	147	237	260	106	295	140	175
V-2P-5-60	480	72	72	91	154	264	300	138	348	190	240
V-2P-5-76	480	72	72	91	154	264	300	138	348	190	240
V-2P-5-90	480	72	72	91	154	264	300	138	348	190	240
V-2P-7-60	520	72	88	91	154	264	300	158	384	216	266
V-2P-7-90	520	72	88	91	154	264	300	158	384	216	266
V-2P-7-114	538	80	100	111	177	264	300	158	419	216	266
V-2P-10-60	548	78	110	123	158	264	300	158	416	216	266
V-2P-10-90	548	78	110	123	158	264	300	158	416	216	266
V-2P-10-114	556	79	117	129	171	264	300	158	437	216	266
V-2P-15-90	680	77	124	123	158	348	400	230	454	254	297
V-2P-15-114	705	90	137	129	171	348	400	230	475	254	297
V-2P-15-140	714	98	140	138	198	348	400	230	520	254	297
V-2P-20-90	680	77	124	123	158	348	400	230	454	254	297
V-2P-20-114	705	90	137	129	171	348	400	230	475	254	297
V-2P-20-140	714	98	140	138	198	348	400	230	520	254	297
V-2P-25-114	790	94	182	171	200	460	500	230	532	254	297
V-2P-25-168	825	87	140	129	200	460	500	230	532	254	297
V-2P-30-114	794	92	155	171	200	460	500	250	532	279	322
V-2P-30-168	855	137	155	165	278	460	500	250	532	279	322
V-2P-40-114	860	92	155	171	200	460	500	270	712	318	361
V-2P-40-140	857	137	160	165	278	460	500	270	712	318	361
V-2P-40-168	875	137	165	165	278	460	500	270	712	318	361



以上數據如有變更時，恕不另行通知.歡迎來電洽詢性能曲線圖

永東牌渦流式同軸抽水機

LƯU LƯỢNG MÁY BƠM NƯỚC 2P 3 PHA 380V(50 Hz{2800R.P.M.})

2P (2極) 三相外觀尺寸圖(50 Hz 2800R.P.M)

總揚程(公尺(M)-不計入口真空壓力, 出水量(公升/分(LPM)), 馬力(Hp) CỘT ÁP (Mét M), KHÔNG BAO GỒM ÁP SUẤT CHÂN KHÔNG ĐẦU VÀO, ĐẦU RA NƯỚC (lit/phút) LPM, MÃ LỰC (HP)																
型式 MÃ HÀNG	馬力 CÔNG SUẤT	口徑 ØNG NƯỚC	10M	15M	20M	25M	30M	35M	40M	45M	50M	55M	60M	65M	70M	75M
V-2P-1/2-34	½	1"X1"	110	40												
V-2P-1-49	1	1½"X1½"	210	160												
V-2P-2-49	2	1½"X1½"	280	250	190	170										
V-2P-2-60	2	2"X2"	360	280	210											
V-2P-3-60	3	2"X2"	450	400	320	210										
V-2P-3-76	3	2½"X2½"	600	400	330											
V-2P-3-90	3	3"X3"	700	500	370											
V-2P-5-60	5	2"X2"	550	450	400	300	210									
V-2P-5-76	5	2½"X2½"	870	800	700	550										
V-2P-5-90	5	3"X3"	1100	910	750	600										
V-2P-7-60	7.5	2"X2"	350	305	280	240	230	215	205	190	180					
V-2P-7-90	7.5	3"X3"	1000	950	820	750	600	450								
V-2P-7-114	7.5	4"X4"	1300	1100	900	700										
V-2P-10-60	10	2"X2"	440	425	380	365	350	335	305	295	280	265	215			
V-2P-10-90	10	3"X3"	975	910	800	700	650	600	550	420						
V-2P-10-114	10	4"X4"	1360	1315	1140	975	765									
V-2P-15-90	15	3"X3"	1160	1150	1070	1000	960	920	850	750	670	560	330			
V-2P-15-114	15	4"X4"	1665	1615	1475	1250	995									
V-2P-15-140	15	5"X5"	2065	1860	1595											
V-2P-20-90	20	3"X3"	1300	1250	1070	1030	995	940	890	820	760	670	580	350		
V-2P-20-114	20	4"X4"	1810	1790	1760	1690	1550	1315	955							
V-2P-20-140	20	5"X5"	2200	2170	2120	1935	1690									
V-2P-25-114	25	4"X4"	1760	1720	1715	1705	1700	1660	1620	1510	1220	1050				
V-2P-25-168	25	6"X6"	4015	3580	3050	2320										
V-2P-30-114	30	4"X4"	1865	1785	1760	1720	1715	1710	1690	1640	1520	1230	1100			
V-2P-30-168	30	6"X6"	4560	4010	3600	3075	2330									
V-2P-40-114	40	4"X4"	1965	1930	1910	1885	1860	1850	1835	1810	1760	1740	1710	1610	1400	1165
V-2P-40-140	40	5"X5"	3950	3910	3875	3600	2600	2000	1500							
V-2P-40-168	40	6"X6"	4950	4910	4840	4630	3695	3165	2440							

以上數據如有變更時, 恕不另行通知. 歡迎來電洽詢性能曲線圖

永東牌渦流式同軸抽水機

KÍCH THƯỚC MÁY BƠM TRỤC ĐỨNG 2P 2900 R.P.M(BƠM LÙA) 2P (2極) 三相外觀尺寸圖(50 Hz 2900 R.P.M)

型式 MÃ HÀNG	馬力 CÔNG SUẤT	口徑 ØNG NƯỚC	A	B	C	D	E	F	G	H	I	J	K	L	M	N	n	d
V-2P-1/2-34	1/2	1"X1"	75	290	370	142	142	284	165	83	162	25	90	125	78x50	11	4	19
V-2P-1-49	1	1½"X1½"	95	320	415	150	150	300	192	90	177	40	105	140	146	18	4	19
V-2P-2-60	2	2"X2"	93	367	460	155	155	310	210	105	200	50	120	155	146	18	4	19
V-2P-3-76	3	2½"X2½"	103	357	460	175	175	350	250	125	200	65	140	175	180	18	4	19
V-2P-5-90	5	3"X3"	130	434	564	200	170	370	275	138	238	80	150	185	180	18	8	19
V-2P-7-90	7½	3"X3"	130	490	620	200	170	370	275	138	275	80	150	185	180	18	8	19
V-2P-7-110	7½	4"X4"	145	490	635	195	195	390	280	140	275	100	175	210	190	18	8	19
V-2P-10-90	10	3"X3"	126	490	616	225	205	430	335	167	275	80	150	185	190	18	8	19
V-2P-10-114	10	4"X4"	145	490	635	195	195	390	335	167	275	100	175	210	190	18	8	19
V-2P-15-90	15	3"X3"	126	610	735	225	205	430	335	225	335	80	150	185	190	18	8	19
V-2P-15-114	15	4"X4"	145	595	740	195	195	390	335	167	335	100	175	210	190	18	8	19
V-2P-20-90	20	3"X3"	126	610	735	225	205	430	335	167	335	80	150	185	190	18	8	19

永東牌渦流式同軸抽水機

THÔNG SỐ BƠM TRỤC ĐỨNG (BƠM LÙA 2P 2900 R.P.M) 2P (2極) 三相外觀尺寸圖(50 Hz 2800R.P.M)

總揚程(公尺(M) 不計入口真空壓力, 出水量(公升/分(LPM)), 馬力(Hp) CỘT ÁP (Mét M), KHÔNG BAO GỒM ÁP SUẤT CHÂN KHÔNG ĐẦU VÀO, LƯU LƯỢNG(lit/phút) LPM, MÃ LỰC (HP)																		
型式 MÃ HÀNG	馬力 CÔNG SUẤT	口徑 ØNG NƯỚC	5M	10M	15M	20M	25M	30M	35M	40M	45M	50M	55M	60M	65M	70M	75M	80M
V-2P-1/2-34	1/2	1"X1"	90	30														
V-2P-1-49	1	1½"X1½"	210	180	100													
V-2P-2-60	2	1½"X1½"	350	270	190													
V-2P-3-60	3	2"X2"	520	480	400	240												
V-2P-3-76	3	2"X2"	670	600	400	190												
V-2P-5-90	5	2½"X2½"	650	630	600	500	300											
V-2P-7-90	7.5	3"X3"	700	670		650		470	250									
V-2P-7-114	7.5	2"X2"	1150	1000	670	280												
V-2P-10-90	10	2½"X2½"				830	760	650	530	470								
V-2P-10-114	10	3"X3"	1500	1300	1100	800	400											
V-2P-15-90	15	2"X2"				1000	970	950	850	750	950	600	550	250				
V-2P-15-115	15	3"X3"		1680	1590	1360	1050	580										
V-2P-20-90	20	4"X4"				930		910		780		650		430	300			
V-2P-20-114	20	2"X2"		2000	1960	1810	1560	1050										
V-2P-40-90	40	3"X3"		1000		990		950		850		780		700			630	580